

DESCRIPTION

The **GEFCO Select #SE201-143 Series Jumping Coherent Flow Jet** provides a unique clear uniform stream of water that maintains its structure to the end of its flight path **WITH VARIABLE STREAM SEGMENTS**.

GEFCO Select #SE201-143 is the jumping version with or without illumination. The object is to provide only a partial, or section of a stream along the flight path, but in such a way, that the water stream will maintain its original round structure with little splash on any surrounding surfaces at the impact point providing no interference from interactions of people or wind. In the design layout of these and other water features it is imperative to keep the public's safety in mind and most of all the owner's liability.

These jets provide an unprecedented attraction for people of any age. The space that may be considered for these effects should be expected to be wet at all operating times. These jets will get all surfaces in its trajectory path wet at least once at start-up. This is a **NON-SUBMERSIBLE JET**.

SYSTEM REQUIREMENTS:

A 100% filtered water supply must be provided. For the jumping version a power supply of 24 VAC is needed. For the illuminated version a power supply of 24 VAC and 12 VAC is needed, controlled by an electronic timing device such as GEFCO SELECT #EE140 Programmable Controller.

Allow a flow rate of 20 GPM @ 40' TDH per jet.

TYPICAL SPECIFICATIONS:

- ***GEFCO Select #SE201-143** Jumping Coherent Flow Jet:
 - stainless steel tube frame.
 - stainless steel covers & fasteners.
 - removable filter mechanism.
 - adjustable around 360 deg. horizontally.
 - adjustable 70 deg. from vertical.
 - 1-1/2" water supply connection.
 - 6' flexible, nylon braided hose
 - stainless steel mounting turret.
 - 24VDC power connection (control).
 - 12VAC power connection (lighting)(optional 120VAC).
 - RGB LED lighting cable connection (optional - SPECIFY).
 - 8' of 16/3 cable, type ST (longer is special order).
 - non submersible.

IMPORTANT NOTE: THESE JETS ARE NOT SUBMERSIBLE.

IMPORTANT NOTE

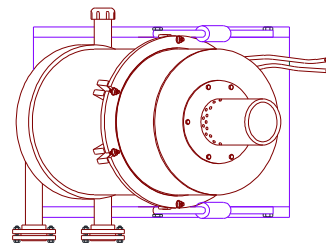
- **These jets require no compressed air or secondary high pressure water supply systems.**
- **Jet control requires design on the principal of reverse polarization.**

IMPORTANT REQUIREMENT

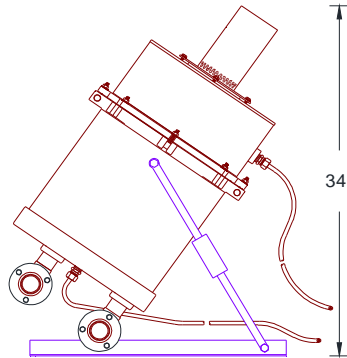
*Designers and Engineers shall be responsible for the accuracy of system flow rates and especially system head loss requirements. Stated flows and head pressure requirements for any listed spray height are required **AT THE NOZZLE**. Extrapolations for unlisted spray heights are at the sole responsibility of the Designers and/or Engineers.*

IMPORTANT

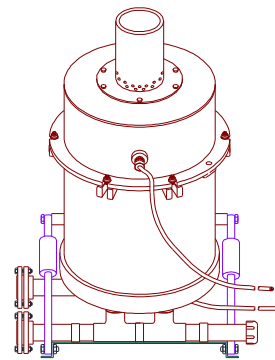
The designers, installers and end users utilizing the electrical equipment described herein assume full responsibility for the compliance with the N.E.C and it's applicable articles, intents and consequences. Where the manufacturer and/or the supplier of the electrical equipment described herein does not control the application or usage, he assumes no responsibility whatsoever for any consequences arising out of the application, installation and/or usage of this or any other equipment and/or materials



26"



34"



22 1/2"

IMPORTANT

Dimensions, Manufacturers and/or Materials subject to change without notice