

DESCRIPTION

The **GEFCO Select #SE161Series Directional Floor Jet** provides a single stream jet in the center and is adjustable in the vertical axis +/- 20 degrees. The spray effect is that of single lazy stream of water creating an outside drooping of arched sprays.

IMPORTANT NOTE: Once the system is installed there is NO ADJUSTMENT possible

TYPICAL SPECIFICATIONS:

- * **GEFCO Select #SE161 Directional Floor Jet**
- made of cast bronze and brass fitted.
- adjustable 20° from vertical center line, outside drop
- 0.50" dia. orifice.
- 1-1/2" N.P.T. female connection.
- built in water stop
- bonding screw (bonding terminal by others)

ADDITIONAL INFORMATION:

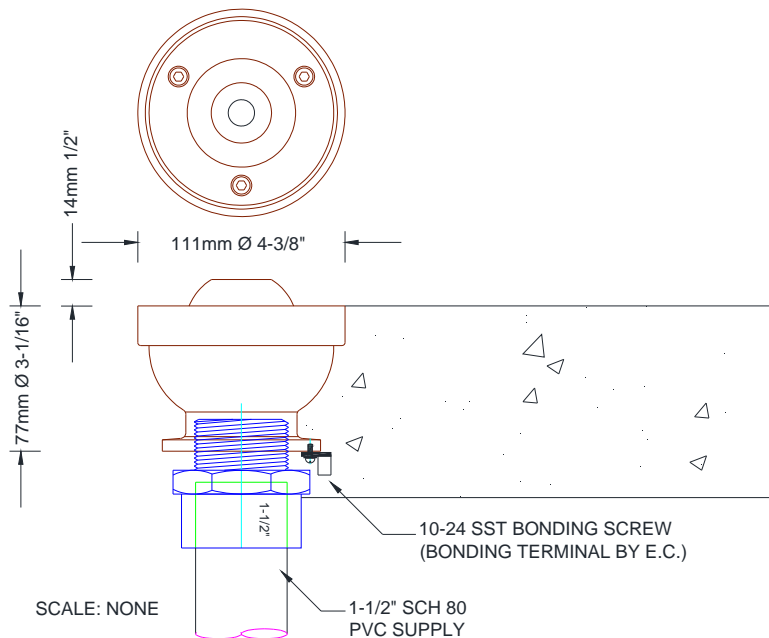
- * **MAX. Suction straining to be: 0.375"**
- * **100% filtered water is required.**

DIMENSIONS:	
T	1-1/2"
OH	3.070"
OD	4.330"
N	1
OS	.315"

PERFORMANCES:			
SH	SD	GPM	FH
4'	2'	4.0	5'
5'	3'	4.5	6'
6'	4'	5.0	7'
8'	5'	5.8	9'
10'	6'	6.4	13'

IMPORTANT

Dimensions, Manufacturers and/or Materials subject to change without notice



IMPORTANT REQUIREMENT

Designers and Engineers shall be responsible for the accuracy of system flow rates and especially system head loss requirements. Stated flows and head pressure requirements for any listed spray height are required AT THE NOZZLE. Extrapolations for unlisted spray heights are at the sole responsibility of the Designers and/or Engineers.