

DESCRIPTION

The **GEFCO Select #SE138-Series Reducing Swivel Union** provides a vertical adjustment of spray effects after installation. The union will enable a total of 30 degrees of adjustment to ensure that the spray effect attached will spray a true 90 degree vertical. To adjust the tightening and loosening of the set bolts is required. For smaller degree of adjust ability use GEFCO Select #SE137-Series Adjustment Flanges.

The GEFCO Select #SE138-Series Swivel Union is constructed of bronze with stainless steel bolts. It is provided with one male threaded connection and one female connection. See the chart below for sizes.

When specifying, please use the following suffix to ensure the proper fitting is provided:

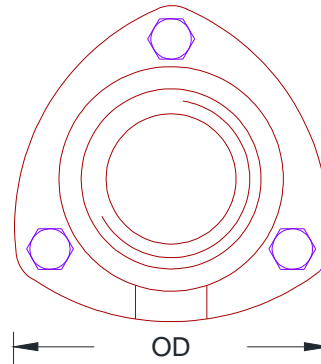
GEFCO Select #SE138-

- 04 3/4" female x 1/2" male N.P.T.
- 06 1" female x 1/2" male N.P.T.
- 08 1" female x 3/4" male N.P.T.
- 09 1-1/4" female x 1" male N.P.T.
- 11 1-1/2" female x 1-1/4" male N.P.T.
- 13 2" female x 1-1/2" male N.P.T.
- 15 3" female x 2-1/2" male N.P.T.

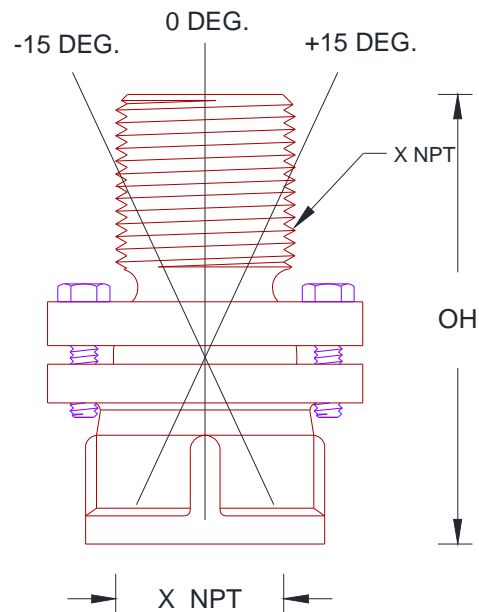
TYPICAL SPECIFICATIONS:

* **GEFCO Select #SE138-XX** Reducing Swivel Union:

- cast bronze, brass and stainless steel fastened.
- 15 degrees adjustable from vertical.
- XX" female NPT IN - connection (specify).
- XX" male NPT OUT - connection (specify).



TOP VIEW



SCALE: NONE

#SE138-	-04	-06	-08	-09	-11	-13	-15
T (IN)	3/4" NPT	1" NPT	1" NPT	1 1/4" NPT	1 1/2" NPT	2" NPT	3" NPT
T (OUT)	1/2" NPT	1/2" NPT	3/4" NPT	1" NPT	1 1/4" NPT	1 1/2" NPT	2 1/2" NPT
OH	2.800"	3.000"	3.200"	3.800"	4.600"	5.400"	7.100"
OD	3.31	3.31	3.31	4.33	4.33	4.645	6.375
ADDITION	1.70	1.78	1.89	2.37	3.12	3.86	5.08

IMPORTANT REQUIREMENT

Designers and Engineers shall be responsible for the accuracy of system flow rates and especially system head loss requirements. Stated flows and head pressure requirements for any listed spray height are required AT THE NOZZLE. Extrapolations for unlisted spray heights are at the sole responsibility of the Designers and/or Engineers.

IMPORTANT

Dimensions, Manufacturers and/or Materials subject to change without notice