

DESCRIPTION

The **GEFCO Select #PE102 Eyeball Fitting** is placed in pool walls providing a directional inlet for filtered water to enter the pool or as an inlet for water makeup.

A base of bronze with integral water stop flange is to be embedded into pool wall well below water level. The base possesses 2" NPT connection at the pipe end and 2" NPS at the companion flange end. An adjustable eyeball orifice fitting with adapter will direct the flow of the incoming water.

One fitting will accommodate approximately 20-25 GPM of incoming water. In multi-level pools it is recommended that at least one eyeball fitting be placed in the highest pool for filling purposes.

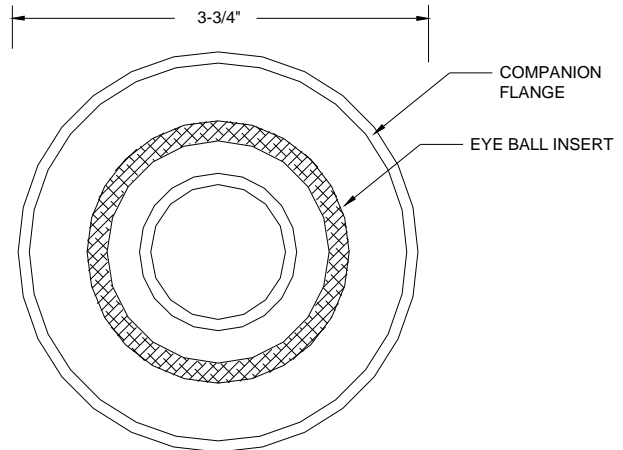
TYPICAL SPECIFICATIONS:

* **GEFCO Select #PE102** Eyeball Fitting:

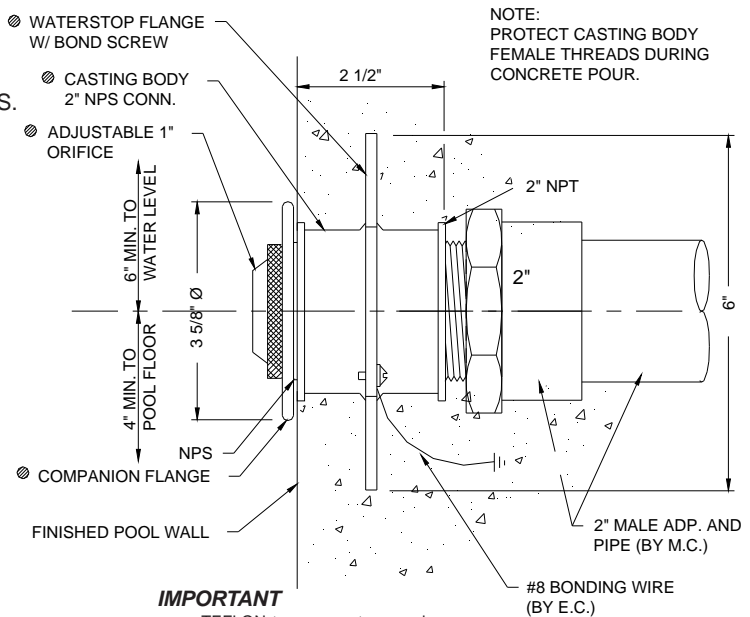
- cast bronze body with water integral stop flange.
- chrome plated 1" orifice eyeball insert.
- chrome plated lock ring, and guide bushing.
- chrome plated companion flange, 2"M x 1-1/2"F NPS.
- bonding screw.
- 2" female NPS/NPT base connection.

REPLACEMENT PARTS:

- 1 Eyeball insert assembly (orifice-lockring-guide bushing).
- 2 Companion flange.



SCALE: NONE



NOTE:
PROTECT CASTING BODY
FEMALE THREADS DURING
CONCRETE POUR.

IMPORTANT
- use TEFLON tape or paste everywhere.
- protect threads during concrete pour.
Use temporary PVC HEX plug

IMPORTANT

*Dimensions and/or Materials
subject to change without notice*