

DESCRIPTION

The **GEFCO Select #EE176 RGB DMX LED -ZZ Series Wet/Dry Light Fixture** are constructed to provide relative narrow dispersion of light and provides an approx. 1.6 Million computer controlled color rendition for low to medium range height spray effects (or waterfalls). The fixture can also be equipped with single colored (optional DMX controlled) lighting boards in solid white, green, red, blue and amber (see GEFCO Select #EE152C-YY-ZZ). The light fixture is provided with a 1-1/2" diameter pass through for pipe connection for mounting on a GEFCO #PE109-15BR or SST jet riser for slab penetration mounted applications or on a GEFCO #SE214, #SE215, #SE216 Series Water Switch Jet Assembly or any other single jet for slab penetration mounted applications. They can also be mounted in a slab hung application. There is no lateral adjustability for light mount except by adjusting the piping installation. The light has a projection beam angle of up to 35°. It is equipped with a clear flush mounted flat LEXAN plastic lens. Variance in the height can be achieved by adjusting the light fixture on the piping installation height to the elevation desired.

Limits for this fixture is 30 Watts MAX. at 12VDC, 24VDC or 12VAC UNI Power Supply. These fixtures are to be connected to common commercially available U.L. Listed Swimming Pool transformers (sold separately) or a Class II 12VDC or 24VDC power supply (sold separately). Connections are made to connect to standard U.L. Listed underwater junction boxes such as GEFCO Select #EE105, #EE106, #EE108 or #EE110 series using U.L. Listed cord seals such as GEFCO Select #EE112-01 Series Cord Seals.

Each RGB light is DMX addressable by serial number at the time of installation using a DMX lighting address unit (sold separately) or at the factory. Each lighting board uses 3 DMX channels. This light can be controlled from a GEFCO #EE960 RGB DMX Dual Universe Controller or GEFCO Select #NANO 1024 MUSIC Dual Universe MultiMedia Show Controller (ORDER SEPARATELY) that will control up to 170 light fixtures per universe or any other DMX512 show control source. This light can run submerged up to 12" (30CM), wet or dry.

TYPICAL SPECIFICATIONS:

*** GEFCO Select #EE176-RGB LED Pipe Mounted Wet/Dry Light Fixture:**

- cast bronze body and face ring, SST fitted.
- RGB ring lighting board with ON-BOARD DMX.
- 30 watt, 12VDC, 24VDC or 12VAC.
- ZZ = Lens Angle 20° or 35° (20° standard). Specify.
- 9 feet of (18/5) single SOOW cable.
- clear poly carbonate flat donut lens.
- silicon lens gaskets.
- 1-1/2" center pass through with 6 SST 1/4-20 set screws
- rated IP68 to 30CM, for use in wet or dry conditions.
- **RGB DMX CONTROLLER NOT INCLUDED.**



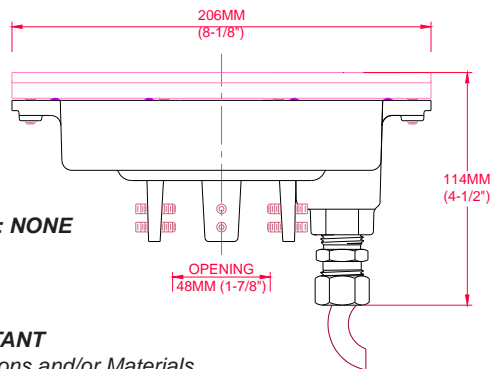
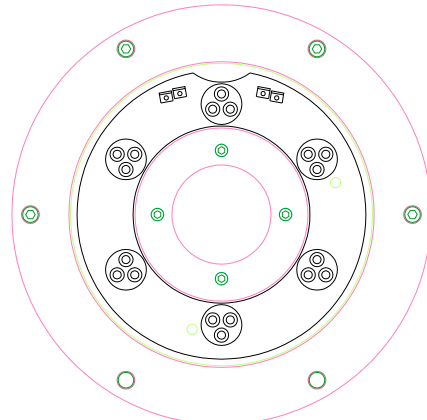
LISTED

OPTIONAL ITEMS:

- GEFCO Select #EE176-G Grout mount ring.
- GEFCO Select #EE176-S Slab hung mount.
- ZZ= Beam angle 20 or 35 (specify).
- GEFCO Select #EE960 RGB LED 512/1024-Channel DMX Dual Universe Controller.
- GEFCO Select #EE NANO 1024 MUSIC Multi Media DMX Dual Universe Show Controller
- CORD LENGTH - Cable longer than 9'- 0" is optional and can be supplied at an extra cost, however, only 10'- 0" of exposed cable is permissible per NEC.

IMPORTANT

The designers, installers and end users utilizing the electrical equipment described herein assume full responsibility for the compliance with the N.E.C. and it's applicable articles, intents and consequences. Where the manufacturer and/or the supplier of the electrical equipment described herein does not control the application or usage, he assumes no responsibility whatsoever for any consequences arising out of the application, installation and/or usage of this or any other equipment and/or materials.



Scale: NONE

IMPORTANT

Dimensions and/or Materials subject to change without notice